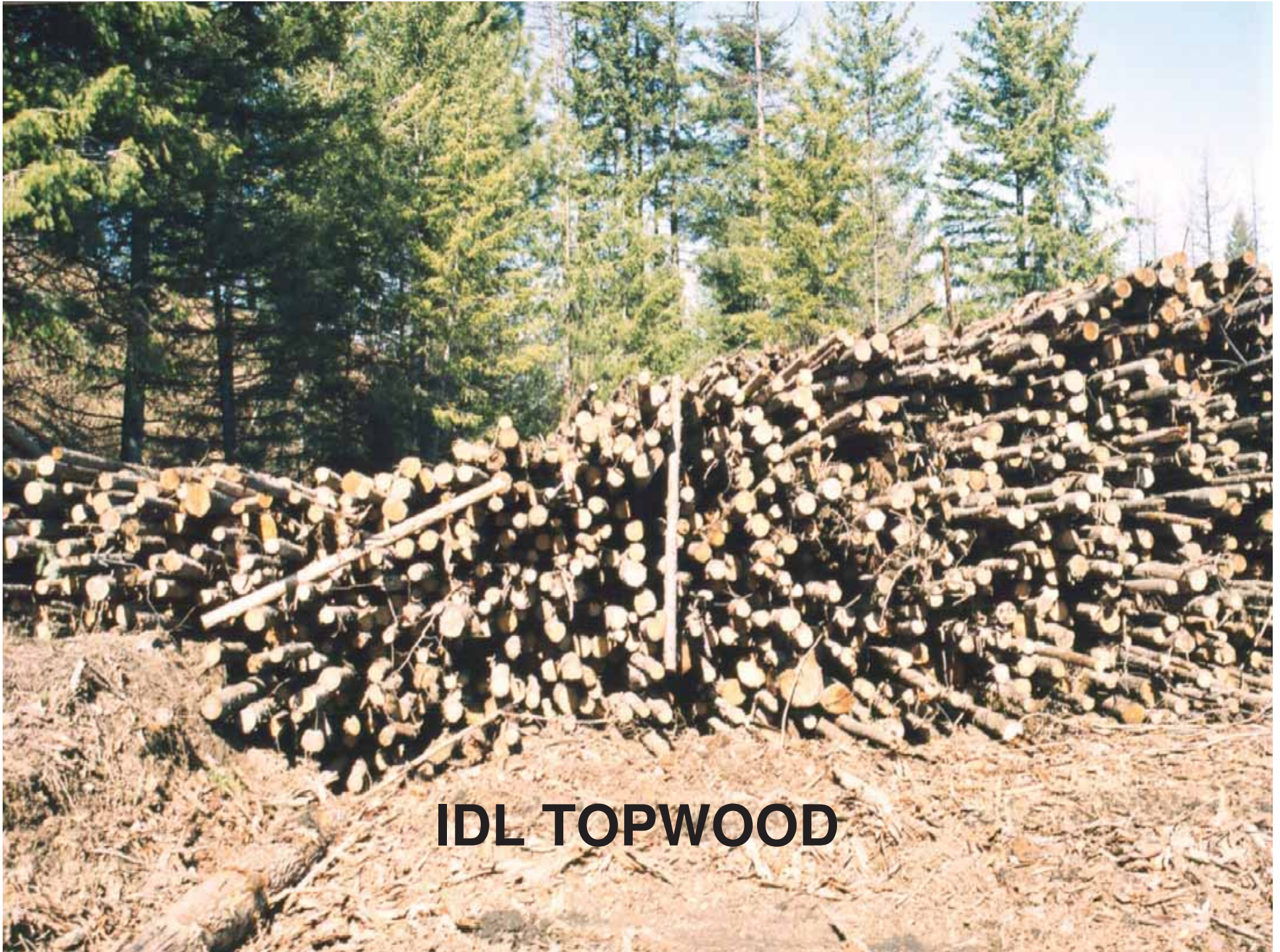


Pete Van Sickle  
Scaling Supervisor  
April 4, 2007



**IDL TOPWOOD**

**IDL Second Growth Tree Volume Measurements**  
 Tree length Between 5.5 inch and 4 inch top diameters

12/7/2005

DBH Class	AF	DF	ES	GF	LP	MH	PP	WC	WH	WL	WP	Average
6-7	11.1	15.8	9.6	15.3	15.2	9.6	17.4	15.7	12.2	18.3	16.7	15.7
7-8	9.7	12.3	8.4	11.9	11.3	5.4	9.0	8.7	8.4	16.7	11.9	12.1
8-9	7.8	10.8	7.2	9.5	9.5			7.7	9.1	13.4	10.7	10.0
9-10	7.7	8.8	4.8	9.1	8.3	10.2		6.7	7.9	12.2	9.3	9.1
10-11	7.8	7.9	7.8	7.7	6.8		5.4	7.1	6.3	10.3	9.7	8.0
11-12	8.6	7.5	4.8	7.7	6.1	3.6	10.2	7.3	6.7	8.8	8.5	7.5
12-13	5.0	6.7	3.0	7.5	5.7		4.2	6.9	6.2	9.0	7.3	7.0
13-14	5.6	6.7	5.6	6.8	5.6	10.8		5.9	5.5	8.4	8.5	6.8
14-15	5.5	6.6	5.8	6.3	5.3		6.6	6.9	5.5	7.6	7.8	6.5
15-16		5.5	6.0	5.9	5.5	4.8	4.8	5.5	6.9	7.0	6.0	6.0
16-17	6.0	6.2	8.4	6.4	5.1	4.8	6.0	4.2	4.8	7.4	7.5	6.5
17-18	3.0	5.8		6.3	5.4			5.4	4.5	7.4	6.7	6.1
18-19	7.2	5.3	4.8	5.2	5.7	5.1	4.8	3.9	5.0	6.7	5.6	5.5
19-20		5.7	4.2	5.6	3.0			4.8	4.2	6.2	19.8	6.0
20-21		5.7		4.5			6.6		6.6	5.7	7.2	5.8
21-22		5.3		4.8				5.4	5.4	6.3	6.4	5.5
22-23		4.8		4.8	3.9			5.4		4.5	6.6	4.8



# IDL TOPWOOD

- LEGAL REQUIREMENT
- DEFINITIONS
  - ATTACHED TOPWOOD
  - 20' AND SHORTER LENGTHS
- METHOD OF MEASUREMENT
- METHOD OF SALE
- FUTURE OF TOPWOOD??



# RULES FOR SALE OF TIMBER

- **IDAPA 20 TITLE 02 CHAPTER 10**
  - **20.02.10 - RULES FOR SELLING OF FOREST PRODUCTS ON STATE-OWNED ENDOWMENT LANDS**
  - **000.(RESERVED).**
  - **001.TITLE AND SCOPE.**
- 
- These rules set forth the policy and procedures for selling forest products from state endowment lands and are adopted pursuant to and shall be construed in a manner consistent with the duties and responsibilities of the Idaho Board of Land Commissioners as set forth in Title 58, Chapters 1 and 4, Idaho Code and article 9, Sections 7 and 8 of the Idaho Constitution.



# CONTINUED

- **Forest Products.** Major forest resources including sawlogs, pulp, cedar poles, and cedar products suitable for split products or *other marketable materials*.



# TOPWOOD

- DEFINITION AS PER IDL TIMBER SALE CONTRACT
  - ATTACHED
  - 20' AND SHORTER LENGTHS



# DEFINITIONS

- ATTACHED – Topwood is that portion of a sawlog smaller than 5.5 inches diameter inside bark when the portion of the sawlog larger than 5.51 inches diameter inside bark is 8'1" in length or greater and 33 1/3% sound. *Under this old Term* Topwood was considered pulpwood and was billed at the pulp price. Topwood volume is billed on a lump sum basis.





# DEFINITIONS (NEW CONTRACT TERM)

Topwood is merchantable if it meets the following specifications:

- A top diameter inside bark of less than 5.5 inches
- A total length of 20 feet or less
- Total length may include a sawlog with a minimum length of 8' and a net scale of 33 1/3%, all species

Topwood price will be based on the quarterly minimum stumpage prices and billed on a lump sum basis.



TOTAL LENGTH 20' OR LESS

# METHOD OF MEASUREMENT

- INSTRUCTIONS TO IDL SCALERS – “DON’T”!!!
- IBSP GROSS SCALE RULE
  - IDL WAIVER RECEIVED JUNE 8, 2006
- VOLUME FOR SALE DETERMINED BY TIMBER CRUISE
  - STEMS PER ACRE
  - STEM SIZE RANGE
  - 6 BF PER PIECE
  - APPLY CULL AND BREAKAGE FACTOR



# METHOD OF SALE

- IDL TIMBER SALE CONTRACT
- OPTIONAL REMOVAL
- VOLUME CALCULATED AND NEGOTIATED WITH PURCHASER
- SOLD ON LUMP SUM BASIS
- PRICE CALCULATED USING QUARTERLY MINIMUM PRICE
- ASSUME 6 BF PER PIECE, 38% SAWLOG, 62% PULP



# EXAMPLES

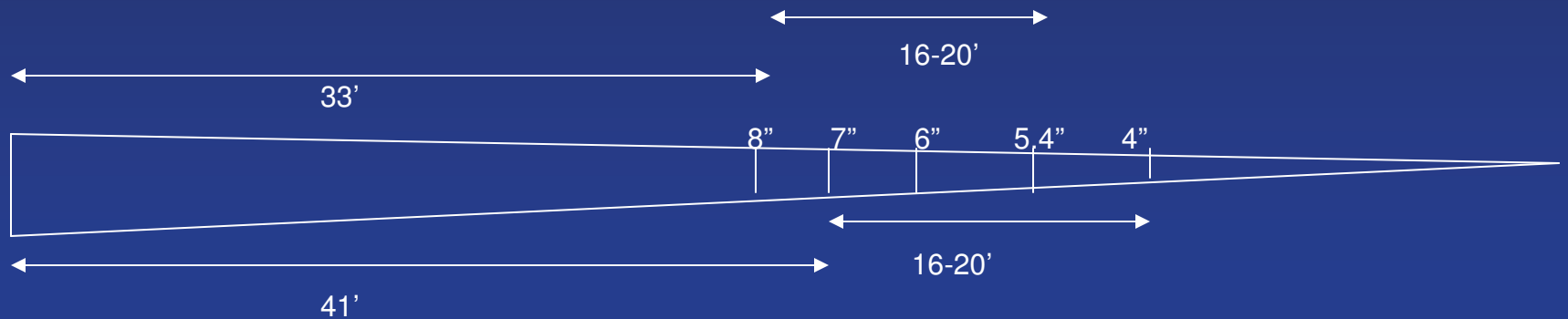
## OPTION TO MAXIMIZE SAWMILL VALUE

8"x16' = 30bf

10"x16' = 60bf

Total 90bf x \$300 = \$27

6bf x \$300 x 38% = \$.68 Total = \$27.68



## OPTION TO MAXIMIZE PREFERRED SAWLOG LENGTHS

7"X20' = 30bf

6bf X \$300 X 38% = \$.68 TOTAL = \$21.68

9"X20' = 40bf

TOTAL 70bf X \$300 = \$21



# IDL TOPWOOD FUTURE

- SELL MORE !
- CONTINUE AS CURRENT ?
- REQUIRE SORT ?
- REQUIRE SEPARATION FROM SAWLOG ?
- SELL ON TON BASIS ONLY ?
- WILL BE DETERMINED AFTER DISCUSSION WITH IDAHO FOREST INDUSTRY !

